

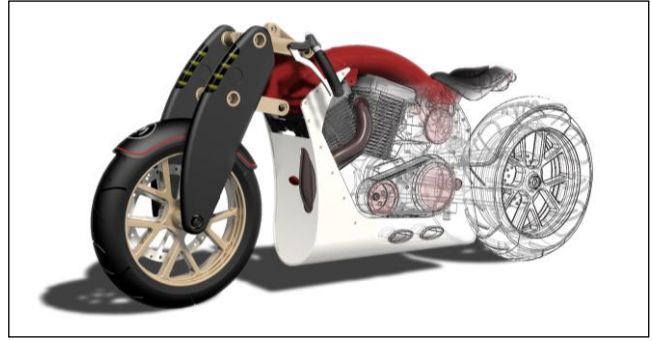
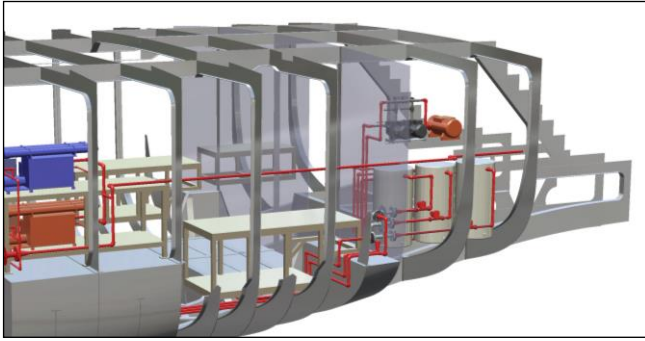
ThinkDesign

Professional



**The product definition
process completely covered**

think3



The ThinkDesign Professional solution covers the entire product definition cycle, meeting the needs of those working in Styling, Engineering and Tooling departments. It encompasses all the experience gained by think3 in the field while supporting clients, and all the power of the ThinkDesign Suite that, version after version, has developed to achieve levels of integrity and flexibility that are still unique in the CAD/PLM market. The range of tools is amazingly rich. Using functions such as 2D, 2D and 3D integration, curve creation and editing, surfaces and solids, sheet metal, tubing, assembly management, table creation, animation, mechanical component libraries, FEM integration, rendering and much, much more, the project materializes in the product. Integration with the thinkPLM suite means all data is managed perfectly. One of the benefits of using a unique solution like ThinkDesign Professional throughout the various product definition phases lies in the smashing of the communication barriers among designers, engineers and molding and equipment technicians, due to the possibility of intervention without losing the work done by other departments. Thanks to the advantages of the solid modeling, the flexibility of the free form surface models and the impressive GSM editing tools, you can make highly creative and precise modifications to any type of shape, be it native or imported, while keeping complete association.

FROM CONCEPTION TO SHAPE WITHOUT FEARING MODIFICATIONS

In order to keep the creative intentions of the designer unaltered, images in the standard graphic formats originating from scanners or graphic processing applications can be entered in the 3D workspace. These can be used as a basic sketch on which to construct curves and surfaces required to form the shape. In the subsequent phases of modeling and editing, think3's Global Shape Modeling, called GSM, provides an incredibly high level of technological innovation that is easier to use than ever before. It is currently the only creation and editing tool that lets you make fast changes with great accuracy and precision, at any phase of the project process, thereby accelerating interactions without limiting creativity and without having to rebuild models.



UNIQUE 2D AND 3D SOLUTION INTEGRATED WITH PLM

The ThinkDesign Professional integrated design environment ensures complete 2D/3D/PDM transparency. ThinkDesign Professional provides optimized interoperating 2D and 3D environments that are completely integrated with thinkPLM, think3's PLM (Product Lifecycle Management) application suite. In this way, companies are able to protect and edit existing 2D data by preserving their original investment and eliminating the risk associated with the migration from one design platform to another. thinkPLM lets users research data, generate bills of material, manage documentation associated with the project, and is one of the key tools in managing parts and machine set reviews and in the maintenance cycle of molds and equipment.

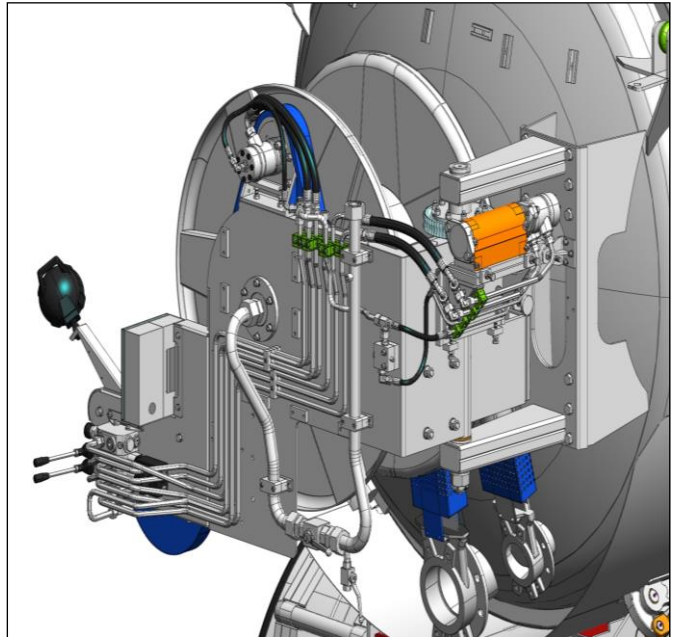


MODELING WITHOUT LIMITS

Interactive Solid Modeling (ISM) frees users from the parametric logic made of profiles and constraints and from the sequences with which a solid model was built, to directly obtain the expected modification result. Move, replace and remove faces simply and dynamically, and generate offsets and close topologies that are open on native and imported solid geometries. ThinkDesign Professional is the only software on the market to offer authentic hybrid modeling, perfectly integrating solids and surfaces in the same environment, thus meeting the needs of designers, engineers and technicians, ensuring innovative modeling abilities, all in a flexible design environment that is easy to use.

PART AND ASSEMBLY DESIGN

ThinkDesign Professional offers designers innovative tools to engineer parts and assemblies. It supports both the "top-down" and the "bottom-up" approaches, letting users choose according to their needs. Simplified representation allow faster loading and viewing of large assemblies, keeping the parametric behavior unaltered. Visual bookmarks make viewing operations easier and symbolic references allow the prompt replacement of components or sub-assemblies. Animation and collisions check detect any interference among the parts of the same assembly. Smart objects are very useful, as they incorporate and reapply working sequences by capturing and sharing the know-how of the design and adaptive measures which, by reading the dimensional values from the surrounding geometry, allow measurements to be entered rapidly and can create valuable parametric links.



2D AND 3D TRANSLATORS

ThinkDesign Professional provides 2D translators for DWG, DXF, IGES formats and GBG Draftmaker, besides 3D translators for the formats IGES, STEP, STL, VDA, VRML, WaveFront, IV, the neutral format of ThinkDesign and ASCII. A further extended set of possibilities is offered by the converter tdXchangeReader, acquirable separately, which enables the import into ThinkDesign of the latest and most popular proprietary 3D formats such as Catia v5, ProE, Parasolid and others. The bi-directional converter for Catia v4 is also available (2D included).*

* Check details and availability for the various platforms.

** [For the system requirements, please read this document.](#)